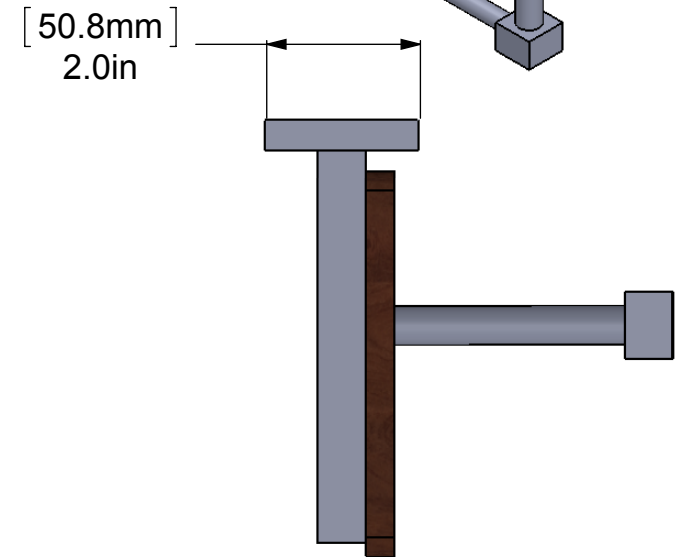
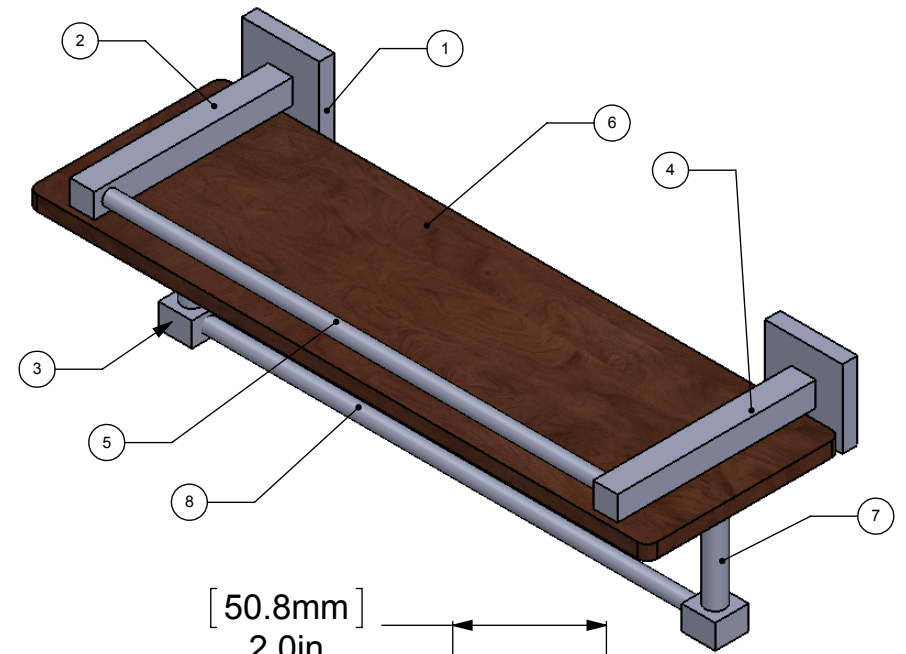


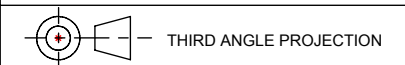
ITEM NO.	P/N	Description	QTY.
1	BPSQ	BACKPLATE	2
2	SHSQL-5	Neck Left	1
3	HBSQ-78	HUB	2
4	SHSQR-5	Neck Right	1
5	TU38-18	TUBE	1
6	IRWRT	IPE SHELF	1
7	TU12-3	SUPPOR TUBE	2
8	TU12-18	BAR	1



UNLESS OTHERWISE STATED

.X	±.3mm
.XX	±.15mm
.XXX	±.008mm

COPYRIGHT © Allied Brass 2016



DRAWN	2/24/2017	I.M
CHECKED	2/24/2017	P.D
APPROVED	2/24/2017	R.A

MATERIAL: BRASS
 DESCRIPTION: **Montero Collection IPE Ironwood Shelf with Gallery Rail and Towel Bar**



FINISH	TBD
QUANTITY	TBD
DRAWING No.	REV
MT1-16TB-GAL-IRW	0
SCALE	1:2.5 SHEET: 01 A4